

3-PART SPECIFICATION

BICYCLE STORAGE LOCKERS

DIVISION 12 - FURNISHINGS
12 93 00 Site Furnishings
12 93 14 Bicycle Lockers

ECOPARK SM "STANDARD" BICYCLE LOCKERS

These specifications were current at the time of publication, but are subject to change at any time without notice. Pleaser confirm the accuracy of these specifications with the manufacturer and/or distributor prior to installation.

Part 1 General

1.1 SECTION INCLUDES

- A. High Strength Sheet Molder Compound (HSMC) plastic composite, modular Hybrid Bicycle Storage Lockers with HRS Steel Frames & End Panels.

1.2 SUBMITTALS FOR REVIEW

- A. Product Data: For each type of product indicated.
- B. Samples: For each type of finish indicated
- C. Product Layout Drawings: For layout options and site dimensions.

1.3 SUBMITTALS FOR INFORMATION

- A. Manufacturer information: "Installation Guide & Owner's Manual - ProPark Series".
- B. Maintenance Data: Included in Owner's Manual
- C. Certifications: For exterior HSMC Molded material, certified by manufacturer.
- D. LEED Qualified Credits:

CATEGORY	SUB CATEGORY	CREDIT
Sustainable Sites	Alternative Transportation - Bicycle Storage	SS Credit 4.2
Innovation in Design	Innovation in Design	ID Credit 1

Innovation in Operations	Innovation in Operations	IO Credit 1
Materials & Resources	Recycled Content	MR Credit 4
Smart Location & Linkage	Bicycle Network & Storage	SSL Credit 4
Neighborhood Pattern & Design	Regional Materials	NPD Credit 5
Neighborhood Pattern & Design	Transit Facilities	NPD Credit 7
Neighborhood Pattern & Design	Transportation Demand Management	NPD Credit 8

1.4 QUALITY ASSURANCE

- A. Products: Manufactured to ISO 9000 or ISO 14000 requirements.
- B. Manufacturer Qualifications A company specialized in the manufacture of fiberglass reinforced plastic/SMC composite.
- C. Conformance: Conform to Class I Bicycle Parking Facilities requirements.

1.5 DELIVERY, STORAGE AND HANDLING

- A. Inspect bicycle locker components on delivery for carrier damage. Store bicycle locker components in original undamaged packaging in an area sheltered from weather until ready for installation. Inspect bicycle locker components prior to setup and installation.

1.6 WARRANTY

- A. Warranty covers materials and workmanship
- B. Warranty Period:
 1. One (1) year from date of invoice for all manufacturer's non-HSMC components.
 2. Five (5) years from date of invoice for failure of HSMC composite material with exterior coatings due to corrosion.

- C. Warranty period for mechanical locks: One (1) year from date of invoice.
- D. Warranty does not cover improper installation, neglect, misuse, accidents, vandalism, natural disasters, fire, or acts of war or terrorism.

Part 2 Products

2.1 DESIGN CRITERIA & CONSTRUCTION

- A. Bicycle Lockers System: Hybrid design HSMC top and door panels with powder coated steel frames, dividers and end panels for rigidity and less heat retention than all steel lockers. The lockers provide a sturdy enclosure, adequate security and capacity within for storing most conventional bike sizes. They are aesthetically pleasing, and are weather and graffiti resistant. Require less shipping and storage area than assembled lockers. Pre-assembled lockers available as an option.
- B. Top Panels: Fiberglass HSMC top panels provide high mechanical strength and rigidity, high surface quality, reduced heat build-up, and rust or denting resistance.
 - 1. Material: Hot compression molded fiberglass reinforced plastic (HSMC) using polyester resin.
 - 2. Construction: Crowned stipple textured surface with 2 inch deep reinforced ribs and flush construction parallel to the Door Panel.
- C. End Panels: Dimpled cross pattern impressions with stiffeners.
 - 1. Material: Powder coated HRS 16 gauge sheet steel
 - 2. Construction: Dimpled cross pattern with welded stiffener angles for rigidity, and welded nuts for easy installation.
- D. Design bicycle storage assemblies and provide clearances that will allow for installation tolerances and free unobstructed access to users.
- E. Doors: Manufactured to same material standards as the locker top and include recessed tamper proof door jambs. Doors should open and close easily without being forced.
 - 1. Integrated full length Latching System to help prevent door prying
 - 2. Built-in Rotary type mechanical locking mechanism (other types are available)
 - 3. Material: Hot compression molded fiberglass reinforced plastic (HSMC) using polyester resin.
 - 4. Construction: Crowned stipple textured surface with 2 inch deep reinforced ribs and flush construction parallel to the Top Panel.
- F. Door Locks: Pop-out T-Handle Vending type mechanism with medium security removable UL 437 listed plug type cylinder lock for T-handle. Locks are recessed and mounted internally for security.
 - 1. Key each locker door cylinder separately and supply (2) keys with each.

2. All lock cylinders shall be completely re-keyable to new combinations.
 3. Contractor to label door keys with corresponding locker door number.
 4. Lock Cylinders: CompX ACE II 7 medium security vending machine type with tubular keys as manufactured by Chicago Locks or approved equal.
 5. T-Handle Assembly: NAMA Rotary Vending Standard countersunk within door face.
 6. Replacement Cylinders and Keys available at retail level Lock Smiths.
- G. Identification: To be provided by Owner, an (optional) numerical identification aluminum plate with 3/4 inch high photo etched numbers and stainless steel escutcheon plate for locker door available. Locker doors shall be labeled sequentially from (#) [_____] to (#) [_____] as directed by Owner.
- H. Roof: Passive draining, having crowned top panels to remove water.
- I. Leveling Brackets: Vertical adjustment of two (2) inches
1. Concealed adjustable leveling feet for un-even surfaces (optional)
- J. Anchors: Securely attach lockers to mounting surface, where specified, on inside of locker.
1. Anchors and Fasteners to be structurally stressed not more than 50 percent of allowable stress when maximum loads are applied.
- K. Hinge: Concealed, full length, piano hinge, corrosion resistant finish, 14 gauge steel with stainless steel rod. Pop-riveted attachment is not allowed.
- L. Partitions: For dividing lockers into two compartments and separating lockers.
1. Exterior type Orientated Strand Board (OSB) panels or equivalent material with sealed edges and coated surfaces (standard).
 2. HRS Steel with deburred edges and powder coated (optional).
 3. SMC Composite panel (optional).
 4. Perforated metal panels (custom).
 5. Diagonal "Divider" Partition not required (Single-Entry).

2.2 BICYCLE STORAGE LOCKERS DESCRIPTION

- A. Series: CycleSafe EcoPark
- B. Models: Single-Tier (1-2) bike capacity
1. Standard Model: SM, no windows.

Access Type:		Locker #
2. Double-Entry: two-door access	(M02)	19502
3. Single-Entry: one-door access	(S01)	19504

- C. Locker Dimensions:
 - 1. Height: 4 feet, 2 1/4 inches.
 - 2. Width: (Starter) 2 feet, 9 inches
 - 3. Depth: 6 feet, 5 1/2 inches.
 - 4. Row Length: Varies depending upon banking configurations.
- D. Bicycle Parking Spaces: Locker Capacity
 - 1. Two-door, double ended access lockers: Two (2) triangular interior spaces per two-door locker unit to be no less than forty-six (46) inches high, seventy (70) inches deep, twenty-nine (29) inches wide at opening and two (2) inches wide at rear.
 - 2. One-door, single ended access lockers: One (1) rectangular interior space per single-door locker unit to be no less than forty-six (46) inches high, seventy (70) inches long and twenty-nine (29) inches wide at opening.

2.3 ACCESSORIES

- A. Swing-Handle Latch with stainless steel bracket for utilizing 3/8" thick Padlock or standard 3/4" maximum thickness bicycle U-Lock. Mfr. # 19549.
- B. Master keys will be sent by registered mail or UPS AOD (acknowledgement of delivery) from factory directly to the Owner (optional) .
- C. Locker Door Identification Number Plates: Manufacturer's standard photo etched aluminum plate, concealed mounting, sequentially numbered with black numbers or letters of at least 3/4 inch (19mm) high. Mfr. # 10703.
- D. Lock Weather Shield: to protect lock and T-Handle from moisture/freezing. Mfr. # 10792.
- E. End Panel Options:
 - 1. Perforated metal panel punched bike logo (optional) others (custom).
 - 2. Bike logo silhouette vinyl sticker. Mfr. # 19915
- F. Coat Hooks: partition mounted for hanging personal items. Mfr. # 10791.
- G. Door-Mounted Storage Bin: for non-view thru models only. Mfr. # 10789.
- H. LED Cabin Lights: Mfr #10788.
- I. Poster Grip Snap-in Frame for recessed display side panel, [**24 inch by 60 inch. Mfr # 19901**] and non-recessed [**44 inch by 72 inch. Mfr # 19905**].
- J. Plastic Floor Plate: One per bike space. Mfr. # 10671.
- K. Blue 2-3/8 inch x 4-5/8 inch Bike Parking Decal: Mfr # 195799.

- L. Door Check / Holdback Kit: for propping door open to allow unrestricted access. Mfr. # 10631.
- M. Key Safe: Mechanical key storage box with programmable coded access. Mfr. # 11680.
- N. Electronic (Keyless) Door Access Locker Management (contact manufacturer for information and specifications)

2.4 FINISHES

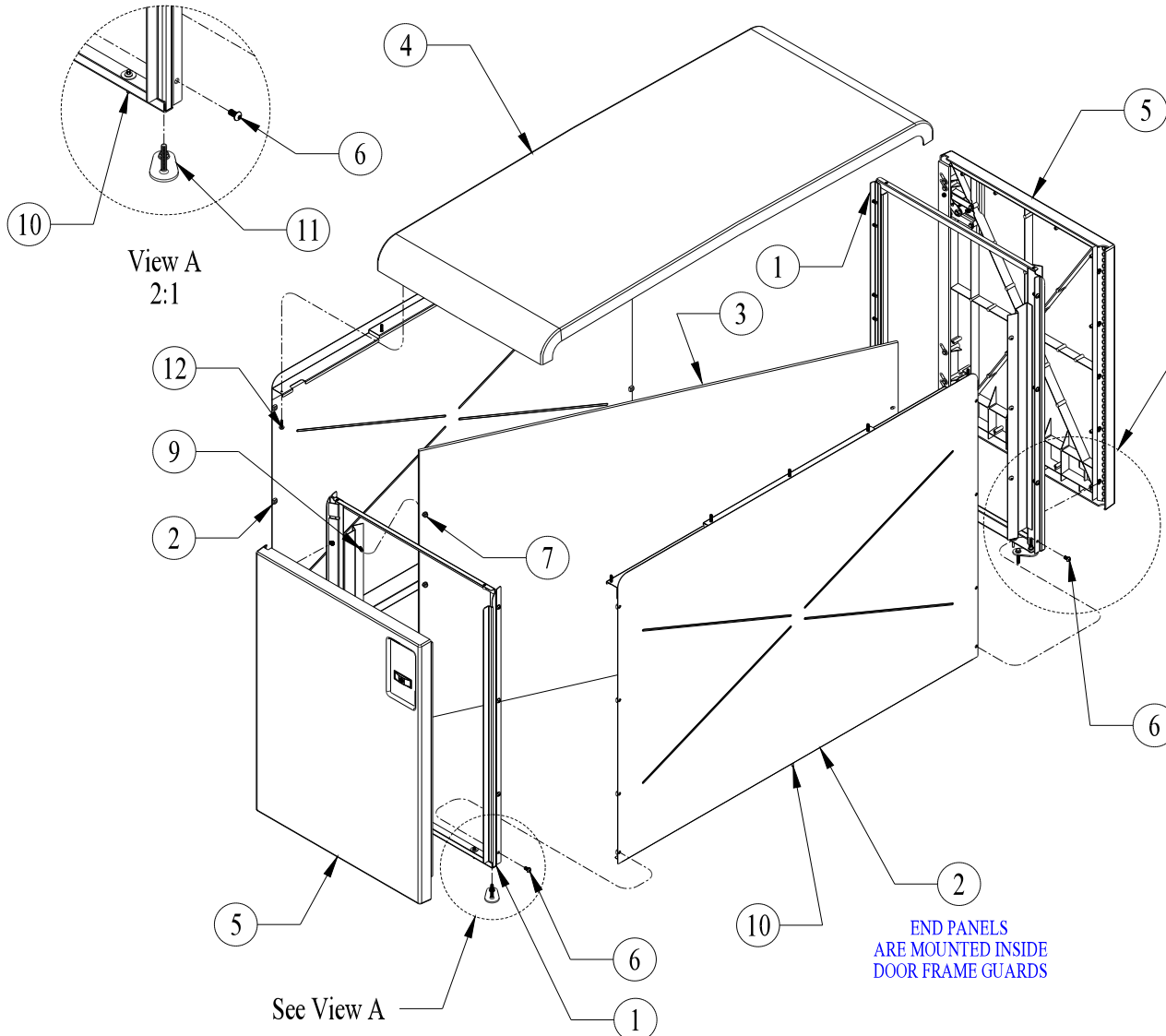
- A. Top and Doors: Factory applied oven baked on, semi-gloss stipple texture finish.
- B. Frame: Zinc Primed TGIC powder coated steel.
- C. End Panels: Zinc Primed TGIC powder coated steel.
- D. Partitions: Light Tan Water Base coating on all sides and edges
- E. Locker Color: [**Sandstone**]; **manufacturer standard locker color.**] [**optional color.**] and custom colors also available.

Part 3 Execution

3.1 INSTALLATION

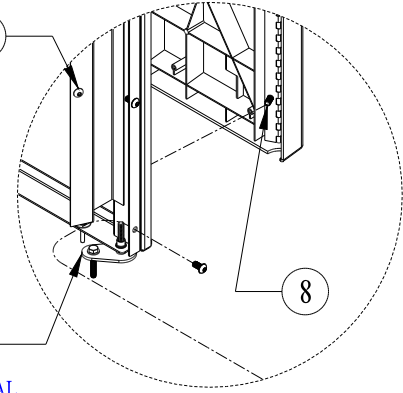
- A. Where installation on concrete is specified, install lockers on minimum 4 inch thick concrete slabs, sloped to provide drainage (maximum 2 degrees) per Section 03 30 00. For other improved surfaces, such as pavers or asphalt, contact Manufacturer for alternate installation procedures.
- B. Fasten to concrete slab or improved surfaces with 1/4 inch Hammer Drive Pin style expansion anchors (furnished).
- C. Set plumb and aligned. Level lockers true to plane with leveling plates and shims.
- D. Field alteration of doors and frames to accommodate field conditions is prohibited.
- E. Adjust doors, latching bar fastening screws, and hardware to operate smoothly, easily, properly, and without binding.

END OF SECTION



ITEM	QTY	DESCRIPTION	MATERIAL
1	2	DOOR FRAME ASSEMBLY	19526
2	2	END PANEL WELDMENT	19524
3	1	DIVIDER {OSB} PANEL	10101
4	1	TOP PANEL {NO PAINT}	10300
5	2	DOOR PANEL {SM} ASSEMBLY	19525
6	16	3/8-16NC BHCS X 3/4" LG. {ZINC}	19569
7	6	5/16-18NC WHIZ LOCKNUT {ZINC}	19582
8	10	5/16-18NC BHCS X 3/4" LG. {ZINC}	19581
9	6	5/16-18NC BHCS X 1" LG. {ZINC}	17112
10	6	DRIVE PIN LAG KIT {STD}	19571
11	4	ADJ. LEVELER KIT {OPTION}	19575
12	10	5/16-18NC X 1-1/4" LG. HHMS {ZINC}	10222

See View B



OPTIONAL MOUNTS

View B
2:1

END PANELS
ARE MOUNTED INSIDE
DOOR FRAME GUARDS

SHEET 1 OF 1

TOLERANCES UNLESS OTHERWISE SPECIFIED:
+/-

.X	.030
.XX	.010
.XXX	.005
ANGLE	1/2°

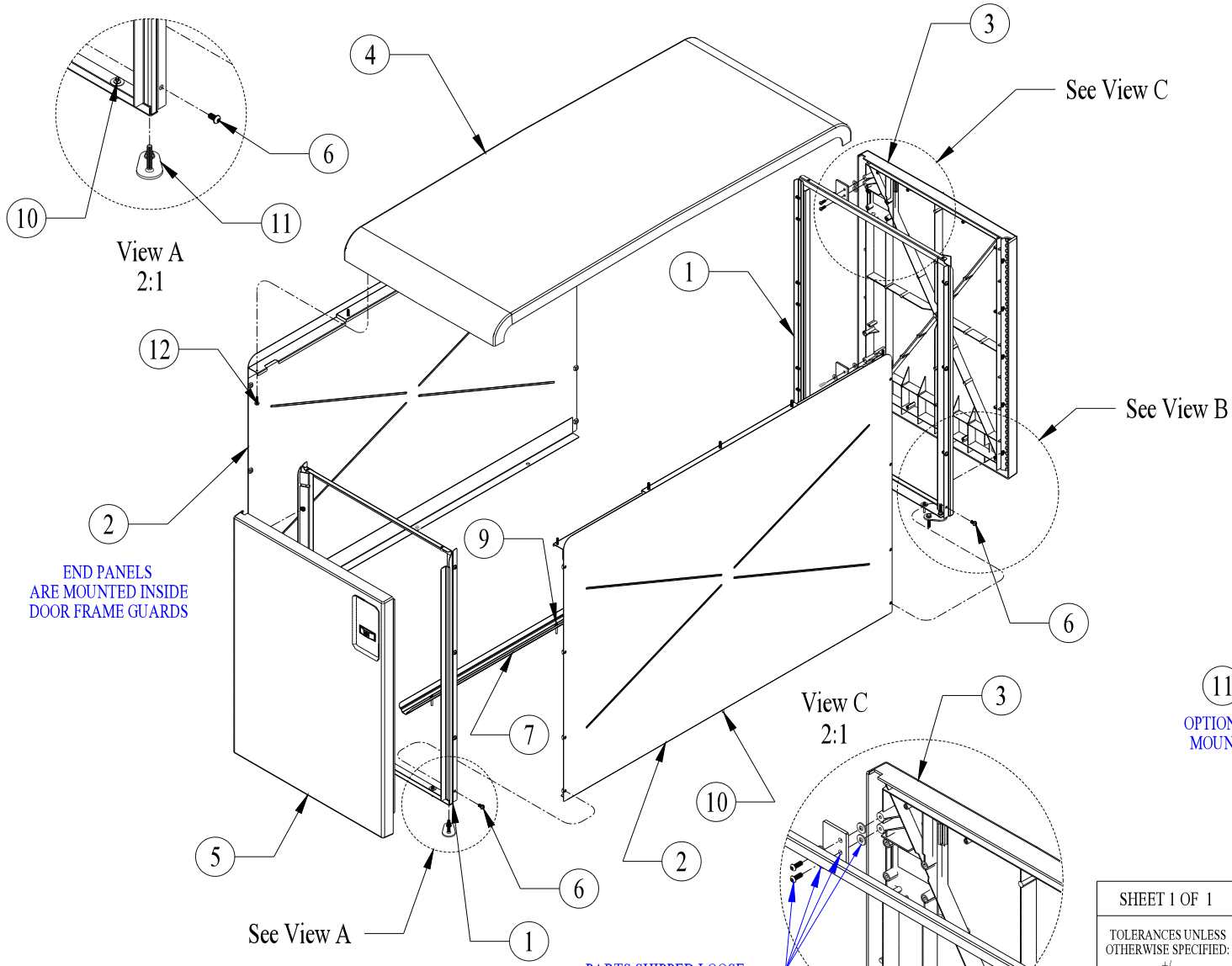
F	CHANGED END PANELS & ITEMS #7-9 FASTENERS	05/07/12
E	ADDED ITEM #12 FASTENERS	08/07/11
D	CHANGE BOLT SIZES FOR ITEMS #6-9	08/22/11
C	REWORK SIDE PANELS & ADD (ZINC) CALL-OUTS	07/27/11
B	INCORPORATE PANEL & SIDE REWORKS	05/17/11
A	CHANGE ITEM #1 PART NUMBER	10/27/10
REV	DESCRIPTION	DATE

ECOPARK ~ SM {M02} LOCKER

Cycle Safe

947 FOREST HILL AVE
GRAND RAPIDS, MI 49546
www.cyclesafe.com

BOB SLYH	05/10/10	<small>REV</small> F		
CHECKED	05/17/11			
APPROVED	02/08/13			
SIZE	D	{STANDARD} LOCKER (2-DOOR) ASSY	19502	F



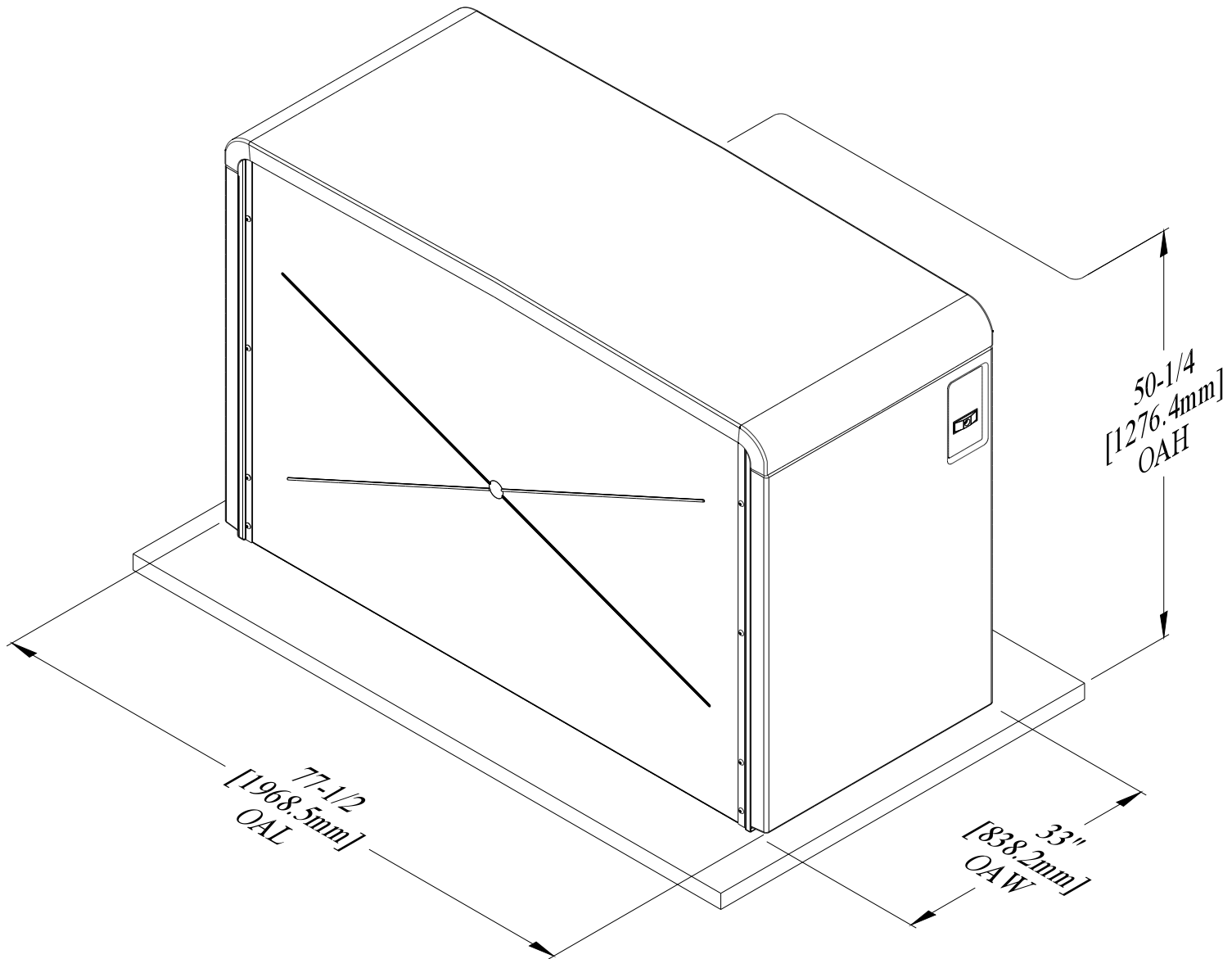
END PANELS
ARE MOUNTED INSIDE
DOOR FRAME GUARDS

PARTS SHIPPED LOOSE
SEE INSTALL GUIDE FOR
PROPER ATTACHMENT

ITEM	QTY	DESCRIPTION	MATERIAL
1	2	DOOR FRAME ASSEMBLY	19596
2	2	END PANEL WELDMENT	19524
3	1	DOOR PANEL {FIXED}	19532
4	1	TOP PANEL {NO PAINT}	10300
5	1	DOOR PANEL {SM} ASSEMBLY	19525
6	16	3/8-16NC BHCS X 3/4" LG. {ZINC}	19569
7	1	BIKE TRACK	10410
8	10	5/16-18NC BHCS X 3/4" LG. {ZINC}	19581
9	3	DRIVE PIN LAG	19572
10	6	DRIVE PIN LAG KIT {STD}	19571
11	4	ADJ. LEVELER KIT {OPTION}	19575
12	10	5/16-18NC x 1-1/4" LG. HHMS {ZINC}	10222

OPTIONAL
MOUNTS

SHEET 1 OF 1		A	RELEASED FOR PRODUCTION	02/19/13
REV	DESCRIPTION	DATE		
ECOPARK ~ SM {S01} LOCKER				
TOLERANCES UNLESS OTHERWISE SPECIFIED: +/-		Cycle Safe 947 FOREST HILL AVE GRAND RAPIDS, MI 49546 www.cyclesafe.com		
.X	.030			
.XX	.010			
.XXX	.005			
ANGLE	1/2°	BOB SLYH	02/19/13	
		CHECKED	DATE	
		APPROVED	DATE	
REV	DESCRIPTION	19504		A
D	{STANDARD} LOCKER {1-DOOR} ASSY			



EcoPark {SM}
{Standard} Locker Assembly {Dims}